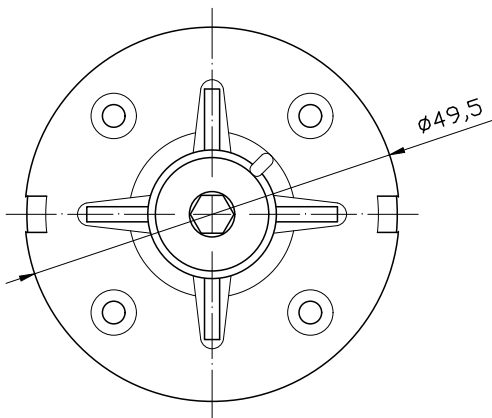
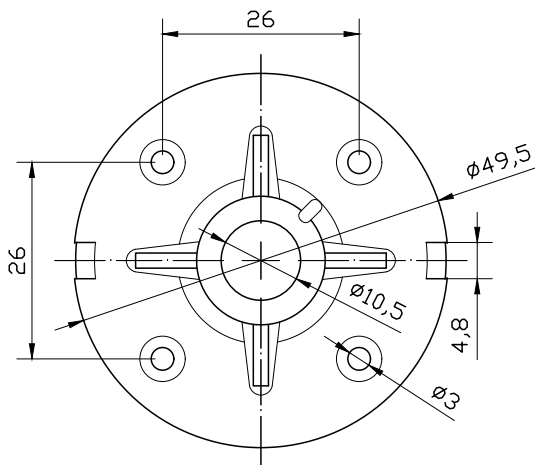
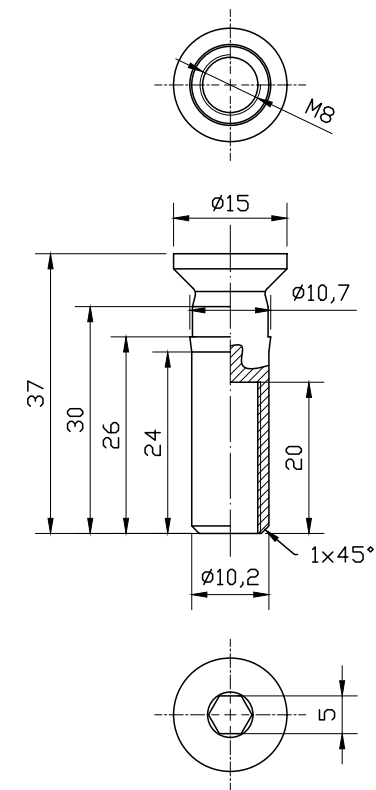
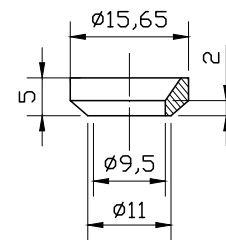
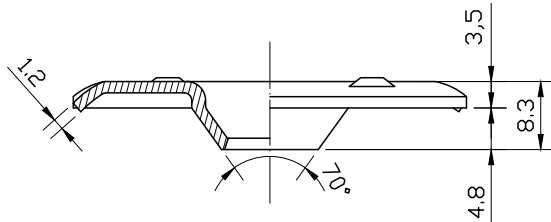
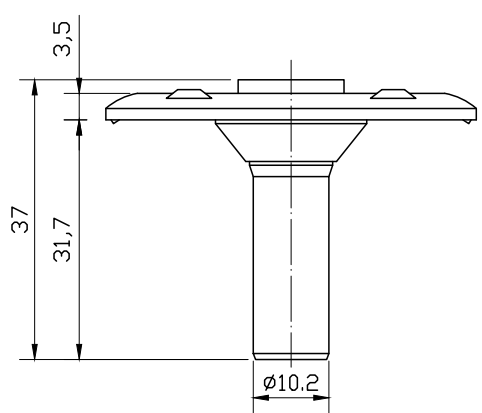
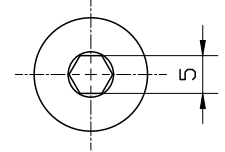
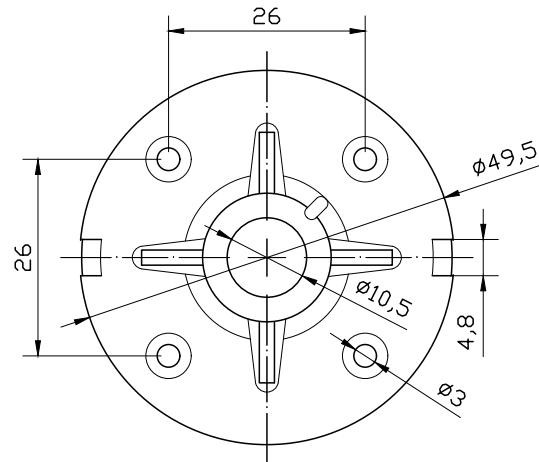
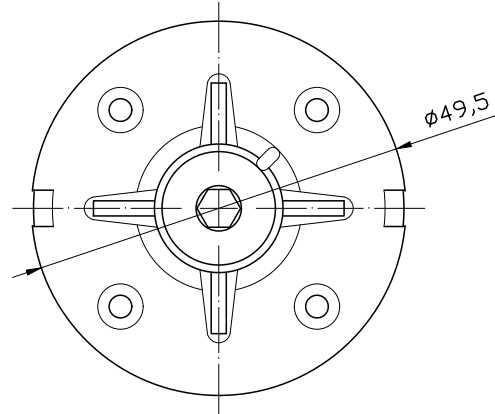
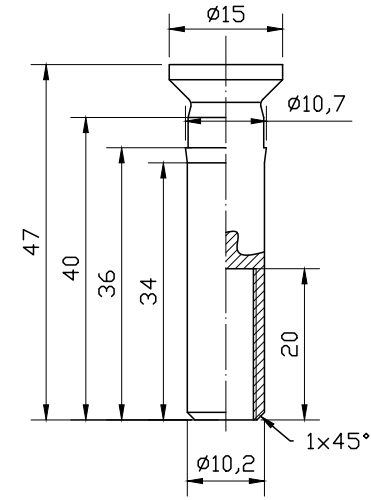
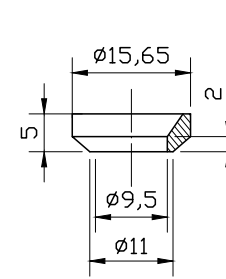
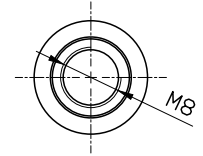
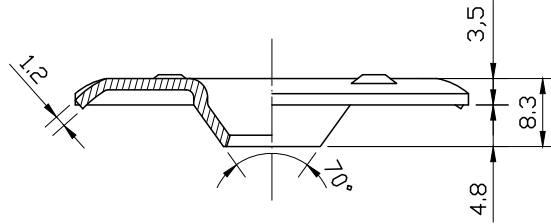
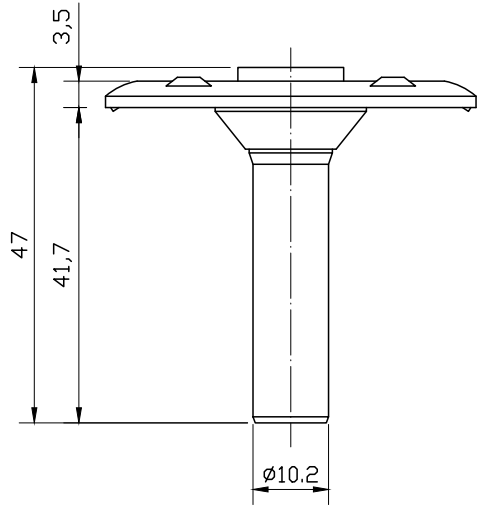


rev	Revision date	DESCRIPTION	signed	<p>Dimensions without tolerances indicated, refers to: UNI EN 22768 - f K</p> <p>Bevel and fillet radii measurements approximated</p>	<p>PROVENTURE ANCHORING TECHNOLOGY</p> <p>Proventure Solutions Limited</p>	DESCRIPTION		DATE	
1						GRATF 30	31/01/2025	CUSTOMER/SUPPLIER DRAWING	
2						30mm grating fastener disc	SCALE	1 : 1	
3						MATERIAL	DRAWING N°.	V-0682	
4				Steel	COATING	INTERNAL CODE	WEIGHT (gr)		
				Duplex	-	-	-		

V. P. Grid, resister, R27
 M.F. P. 2025/01/31



rev	Revision date	DESCRIPTION	signed	<p>Dimensions without tolerances indicated, refers to: UNI EN 22768 - f K</p> <p>Bevel and fillet radii measurements approximated</p>	<p>PROVENTURE ANCHORING TECHNOLOGY</p> <p>Proventure Solutions Limited</p>	DESCRIPTION		DATE	
1						GRATF 40	40mm grating fastener disc	31/01/2025	
2								CUSTOMER/SUPPLIER DRAWING	
3								SCALE 1 : 1	
4						DRAWING N° V-0683			
MATERIAL						Steel	INTERNAL CODE		
COATING						Duplex	WEIGHT (gr)		
						-	-		



V. P. Grid, washer, R47
M.F. 20250101

rev	Revision date	DESCRIPTION	signed	<p>Dimensions without tolerances indicated, refers to: UNI EN 22768 - f K</p> <p>Bevel and fillet radii measurements approximated</p>	<p>PROVENTURE ANCHORING TECHNOLOGY</p> <p>Proventure Solutions Limited</p>	DESCRIPTION		DATE	
1						GRATF 50	50mm grating fastener disc	31/01/2025	
2								CUSTOMER/SUPPLIER DRAWING	
3								SCALE 1 : 1	
4						DRAWING N°. V-0684			
MATERIAL						Steel	INTERNAL CODE		
COATING						Duplex	WEIGHT (gr)		
						-	-		